

METRIC



- 1
- 2
- 3
- 4
- 5
- 6
- 7
- 8
- 9
- 10
- 11
- 12
- 13
- 14
- 15
- 16
- 17
- 18
- 19

MAIN SPECIFICATIONS

Stainless Steel AISI 304 **NI**
 Matte finish (Ra < 0.8 µm) **MT**

Sealing ring and wiper

TPU **T**

- Blue
- Temperature resistant -20 °C to +110 °C
- Hardness 95±5 Shore A
- FDA compliant

Locking wedge

Brass

Grub screw

Stainless steel

FEATURES AND APPLICATIONS

Handle legs GN 3331 comply with the DGUV testing principles and are intended for use in hygienic areas. The sealed mounting surface enables fastening without dead spaces. The high quality finish as well as the non-concave geometry prevent adherence of dirt and facilitate cleaning.

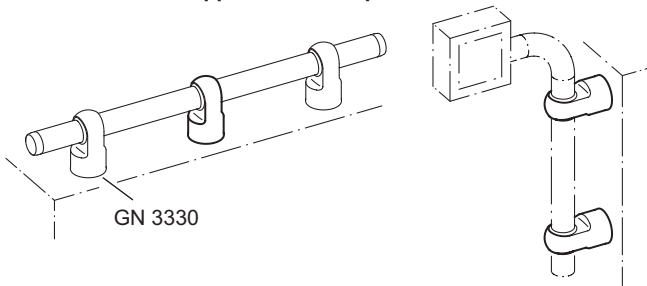
The handle legs are designed for use with tubular handles GN 3330 (see page) to reduce large distances between mounting points or excessive loads on the handle legs. Regardless of the handle application, supports can be used to fix rods and tubes with the corresponding diameter d1. The tube or rod is fastened during installation using the integrated clamping wedge.

ACCESSORIES

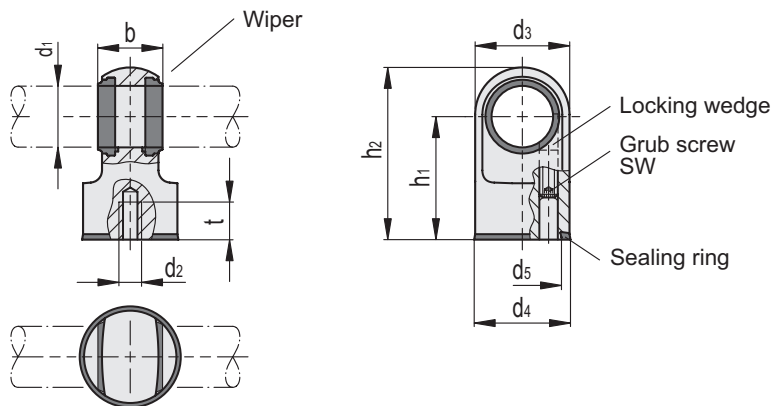
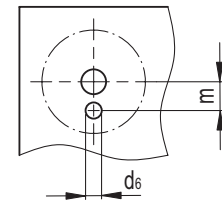
- Screws NT-HD-SST (see page -)
- Screws NTR-HD-SST (see page -)



Application examples



Drilling template



Conversion Table	
1 mm = 0.039 inch	
d1	
mm	inch
30	1.17
40	1.56

INOX STAINLESS STEEL METRIC

Code	Description	d1	d2	d3	d4	d5	d6	b	h1	h2	m	tmin	sw	△
GN.31071	GN 3331-NI-30-60-MT-T	30 +0.1/-0.25	M 10	46	46.6	42	8	27.5	60	84	13.5	20	5	616
GN.31072	GN 3331-NI-40-70-MT-T	40 +0.15/-0.3	M 12	56	58.8	50	8	30	70	99	18.5	25	5	991